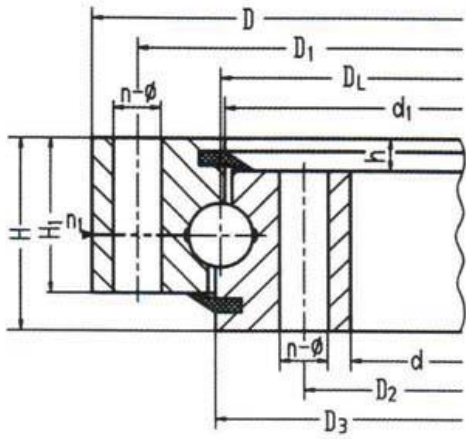


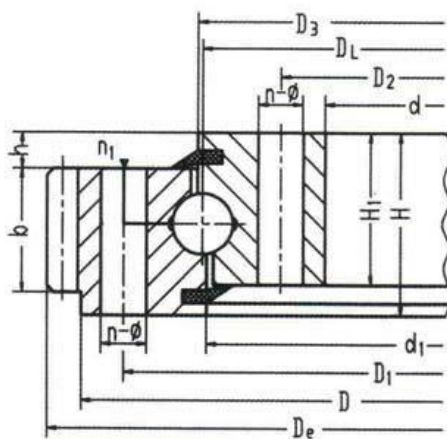
Single-row spherical type slewing bearing(QU QW QN series)

CHARACTERISTIC OF STRUCTURE, PERFORMANCE AND APPLICATION

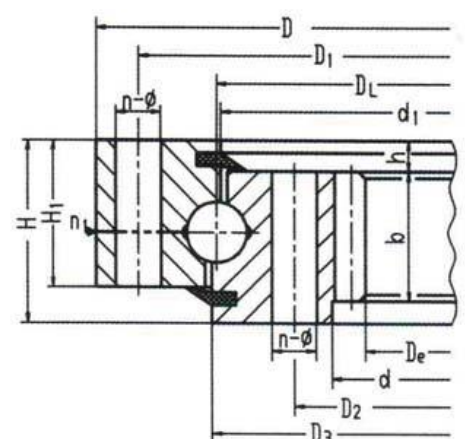
The single-row four point contact ball slewing ring is composed of two seat-rings. It features compact in design, light in weight, the balls contact with the circular raceway at four points, via which the axial force, radial force and resultant moment may be born simultaneously. It may be used for slewing conveyers, welding operating consoles, light, medium duty cranes, excavators and other engineering machines.



QU



QW



QN

Basic Type	Configuration				Mouning Size					Styctural Size				Gear Data				Weight					
	Ext Toothng		Int Toothng		H	D ₁	D ₂	n	M			n ₁	D ₃	d ₁	H ₁	h	b		m	Ext		Int	
	D	d	D	d					A	B	C									D	D _e	Z	D _e
00.20	590	407	593	410	60	555	445	14			24	501	499	50		40	5	615	122	385	78	56	
00.20A																	6	624	103	378	64	58	
50.20	654	464	656	468	70	618	502	14	17	M16	30	561	599	60	50	5	4	680	169	440	111	78	
50.20A																	5	685	136	435	88	79	
80.20	724	534	726	538	70	688	572	16	17	M16	30	631	629	60	50	5	4	748	186	512	129	86	
80.20A																	5	755	150	505	102	88	
100.20	804	614	806	618	70	768	652	18	17	M16	30	711	709	60	50	5	5	835	166	585	118	99	
100.20A																	6	840	139	582	98	101	
00.20	894	704	896	708	70	858	742	20	17	M16	30	801	799	60	50	10	6	6	930	154	672	113	114
00.20A																		8	936	116	664	84	114
00.25	904	692	908	694	78	864	736	18	17	M16	36	801	799	68	58	6	6	942	156	654	110	143	
00.25A																	8	952	118	648	82	147	
00.25	1004	792	1008	794	78	964	836	20	22	M20	36	901	899	68	58	8	8	1048	130	744	94	162	
00.25A																	10	1060	105	740	75	168	
000.25	1104	892	1108	894	78	1064	936	24	22	M20	36	1001	999	68	58	8	8	1152	143	848	107	182	
000.25A																	10	1160	115	840	85	185	
000.32	1120	876	1124	880	90	1074	926	24	24	M22	40	1001	999	80	70	8	8	1160	144	832	105	227	
000.32A																	10	1170	116	830	84	232	

120.32	1240	996	1244	1000	90	1194	1046	28				1121	1199				10	1300	129	940	95	272
120.32A												1121	1199				12	1308	108	936	79	275
250.32	1370	1126	1374	1130	90	1324	1176	32				1251	1249				10	1430	142	1070	108	302
250.32A												1251	1249				12	1440	119	1068	90	309
400.32	1520	1276	1524	1280	90	1474	1326	36				1401	1399				12	1584	131	1212	102	337
400.32A												1401	1399				14	1596	113	1204	87	347
250.40	1390	1108	1394	1110	102	1336	1164	32	26	M24	45	1251	1249	90	80		10	1450	144	1050	106	396
250.40A												1251	1249				12	1452	120	1044	88	392
400.40	1540	1258	1544	1260	102	1486	1314	36			4	1401	1399				12	1608	133	1188	100	448
400.40A												1401	1399				14	1610	114	1190	86	443
500.40	1740	1458	1744	1460	102	1686	1514	40				1601	1599				12	1812	150	1392	117	528
500.40A												1601	1599				14	1820	129	1386	100	534
800.40	1940	1658	1944	1660	102	1886	1714	44				1801	1799				14	2016	143	1582	114	583
800.40A												1801	1799				16	2032	126	1568	99	607
500.50	1762	1434	1766	1438	124	1704	1496	40				1601	1599	12			12	1824	151	1368	115	714
500.50A												1601	1599				14	1834	130	1358	98	727
800.50	1964	1634	1966	1638	124	1904	1696	44				1801	1799				14	2044	145	1568	113	845
800.50A												1801	1799				16	2048	127	1552	98	843
000.50	2162	1834	2166	1842	124	2104	1896	48	30	M27	50	2001	1999	112	100		16	2240	139	1760	111	912
000.50A												2001	1999				18	2250	124	1746	98	927
240.50	2402	2074	2406	2078	124	2344	2136	54				2241	2239				16	2480	154	1984	125	1020
240.50A												2241	2239				18	2502	138	1980	111	1078
500.50	2662	2334	2666	2342	124	2604	2396	60			6	2501	2499				18	2754	152	2250	126	1171
500.50A												2501	2499				20	2760	137	2240	113	1175
500.60	2696	2304	2696	2308	150	2626	2374	60	33	M30	56	2501	2499	136	14	122	18	2790	154	2214	124	1677
500.60A												2501	2499				20	2800	139	2200	111	1701
800.60	2992	2604	2996	2608	150	2926	2674	66	66			2801	2799				18	3078	170	2502	140	1817
800.60A												2801	2799				20	3100	154	2500	126	1904